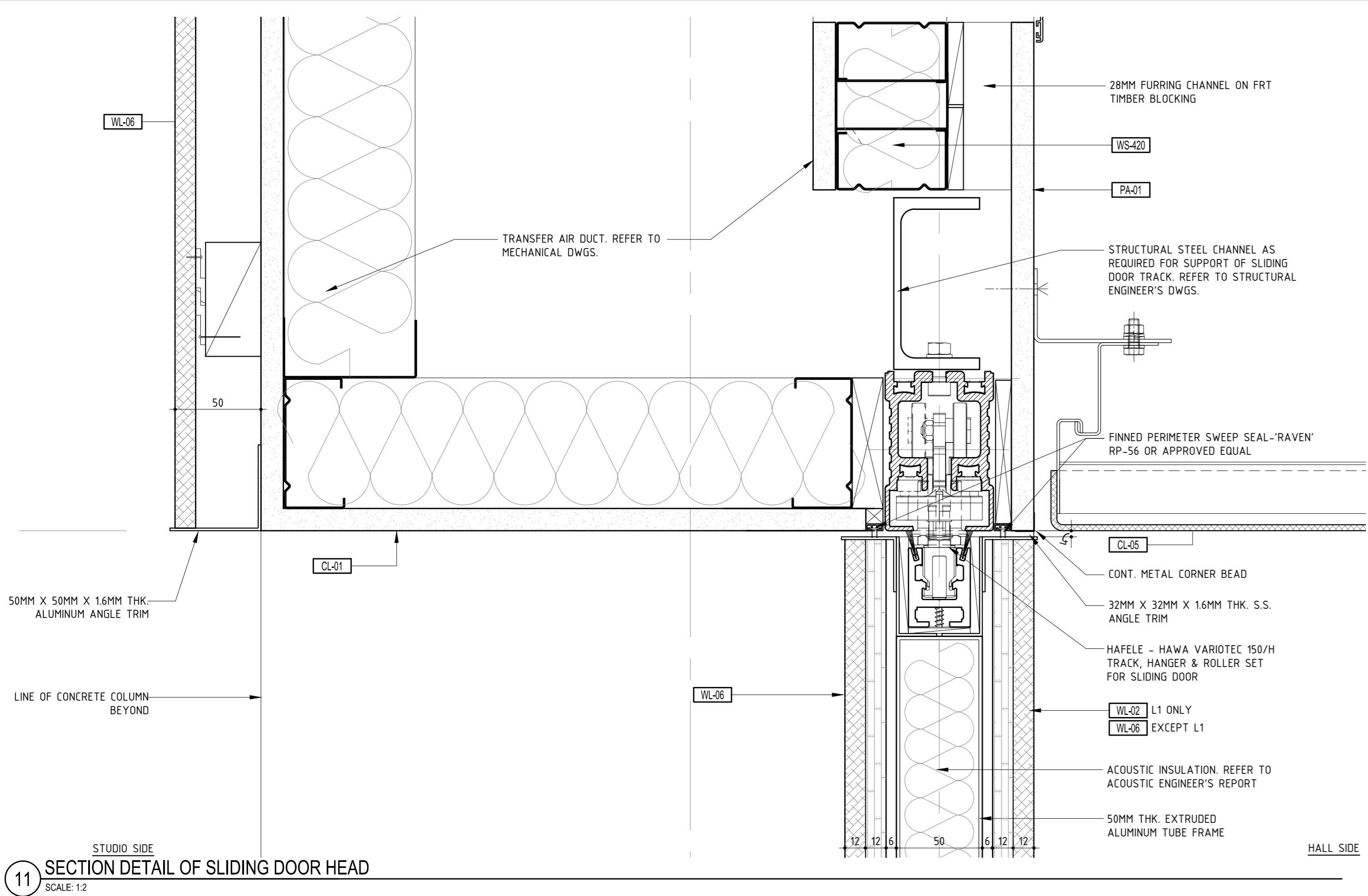
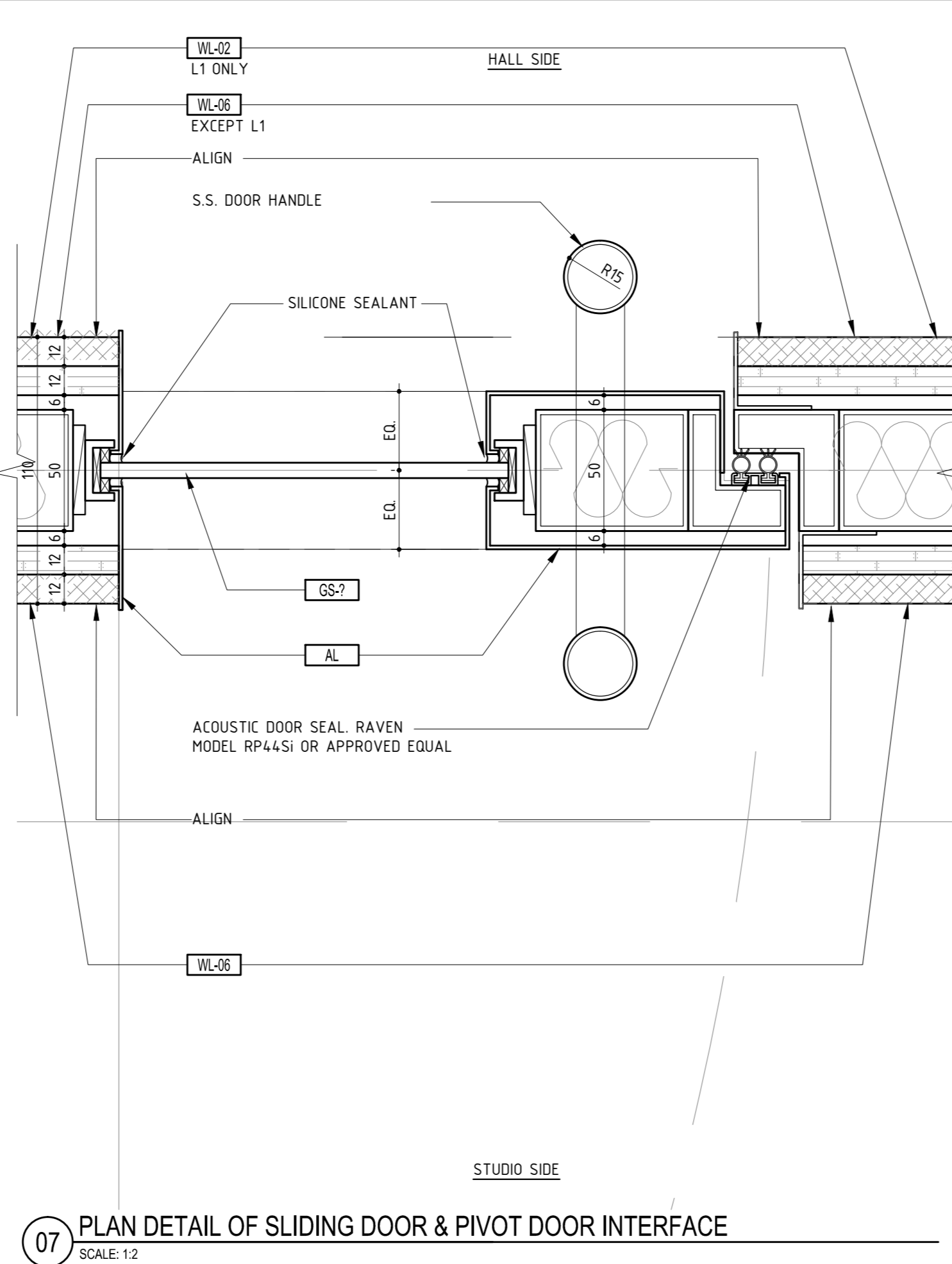


CONTRACTORS SHALL VERIFY ALL DIMENSIONS BEFORE ANY JOB COMMENCES. ALL SHOP DRAWINGS SHALL BE SUBMITTED TO THE SUPERINTENDENT AND MANUFACTURE SHALL NOT COMMENCE PRIOR TO THE RETURN OF UNMARKED SHOP DRAWINGS SIGNED BY THE CONSULTANT. FIGURED DIMENSIONS SHALL TAKE PRECEDENCE OVER SCALED THIS DRAWING SHOULD BE READ IN CONJUNCTION WITH ALL RELEVANT CONTRACT SPECIFICATIONS AND DRAWINGS COPYRIGHT OF THIS DRAWING IS VESTED IN WARDLE

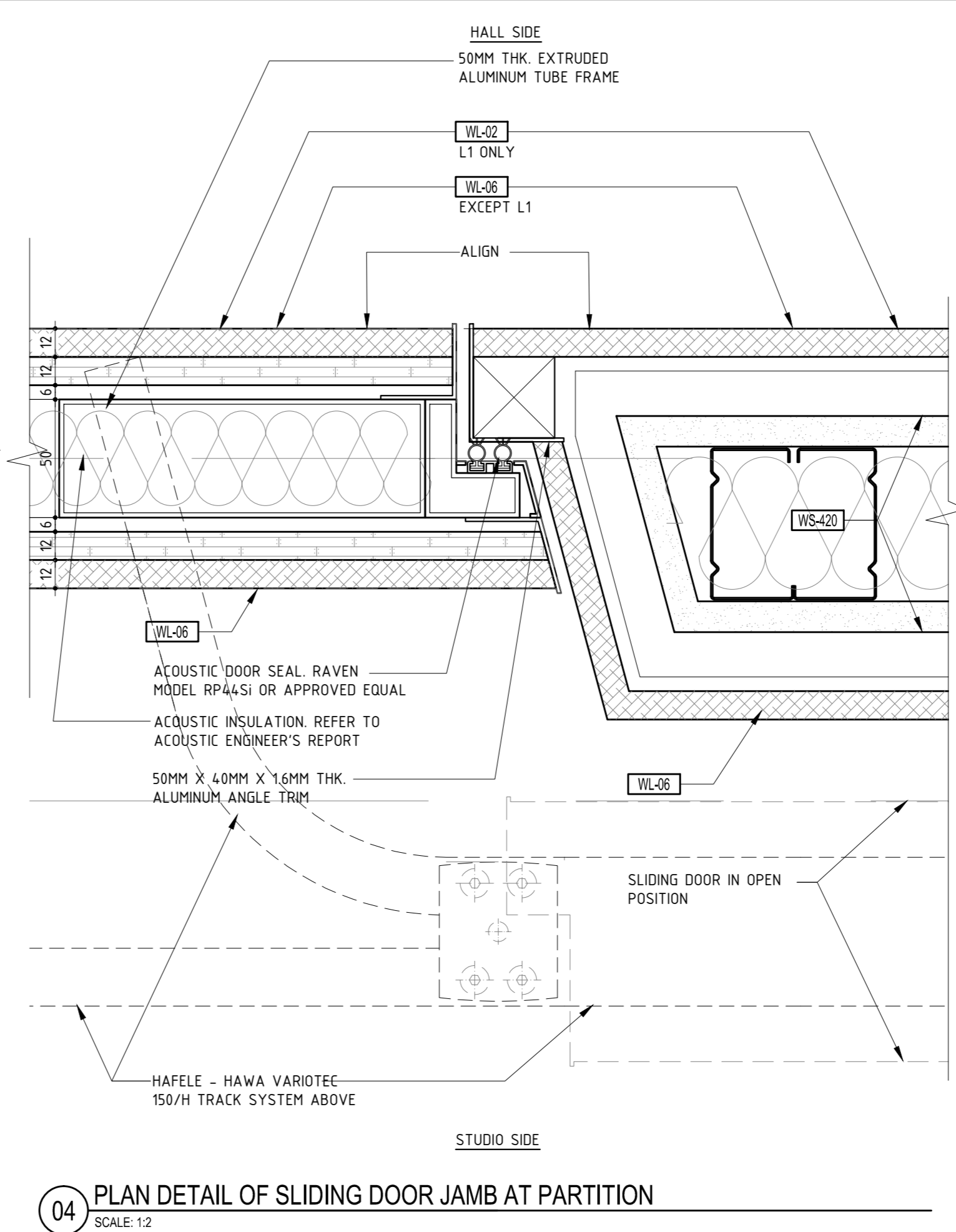
General Notes



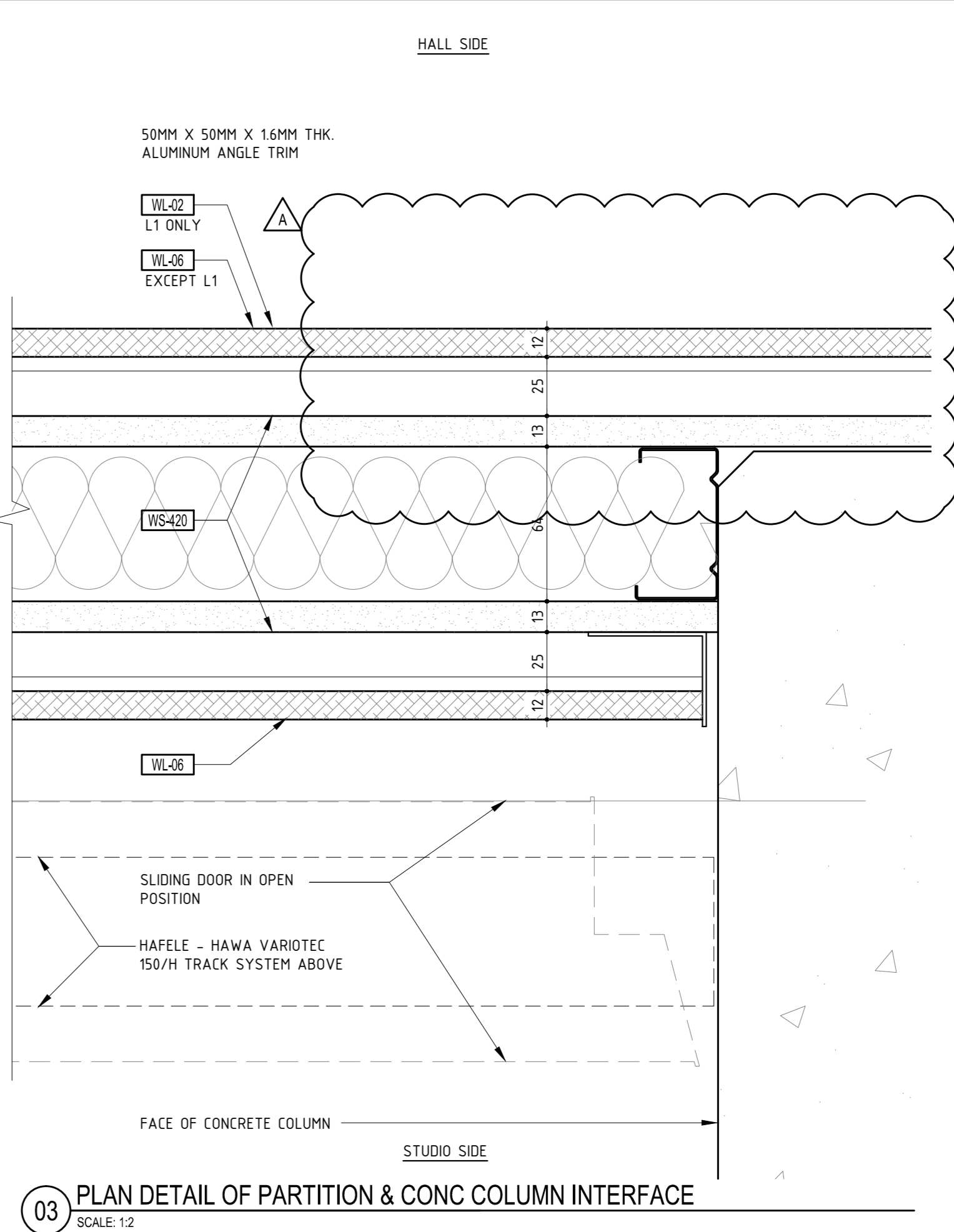
11 SECTION DETAIL OF SLIDING DOOR HEAD  
SCALE: 1:2



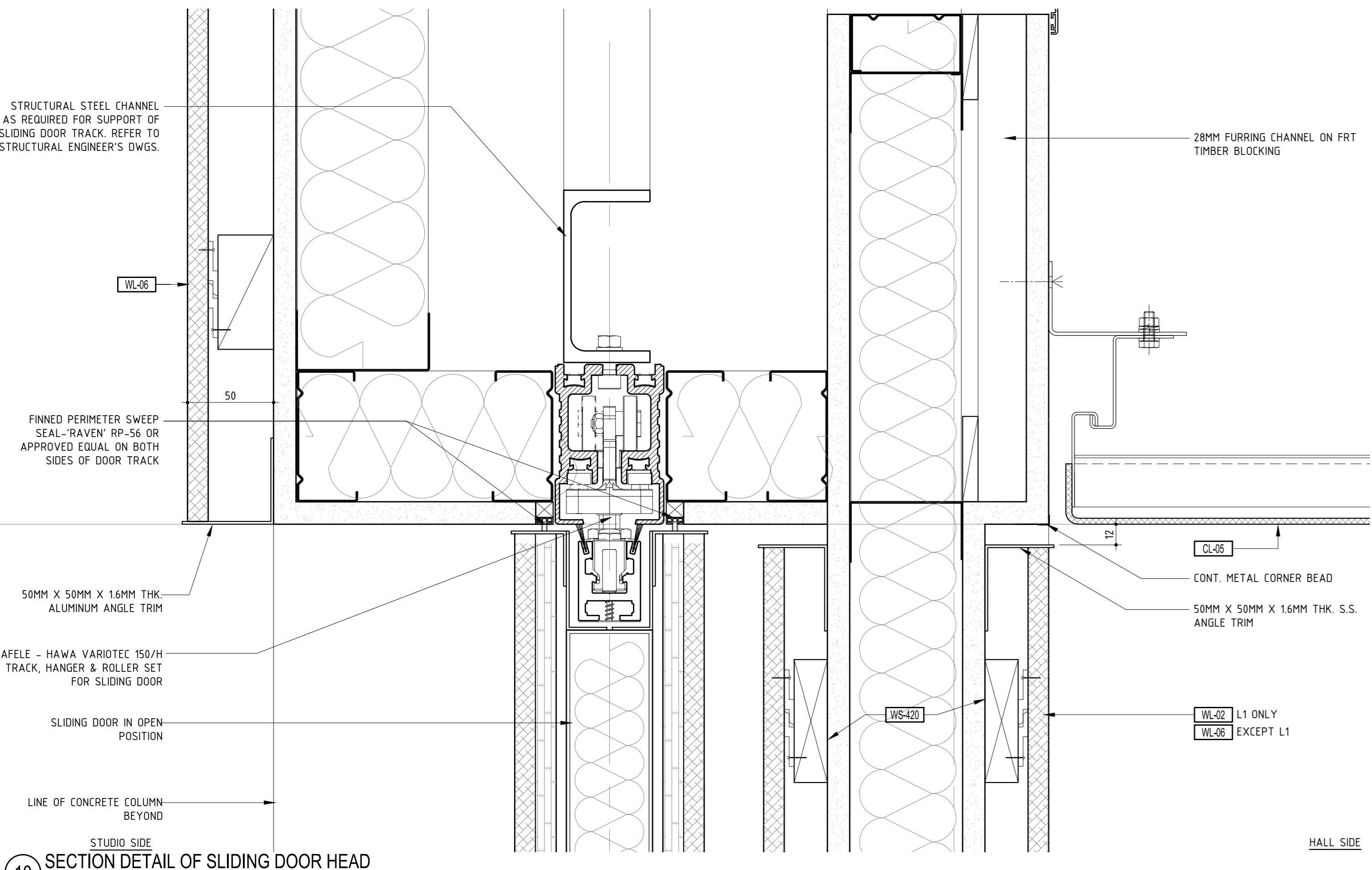
07 PLAN DETAIL OF SLIDING DOOR & PIVOT DOOR INTERFACE  
SCALE: 1:2



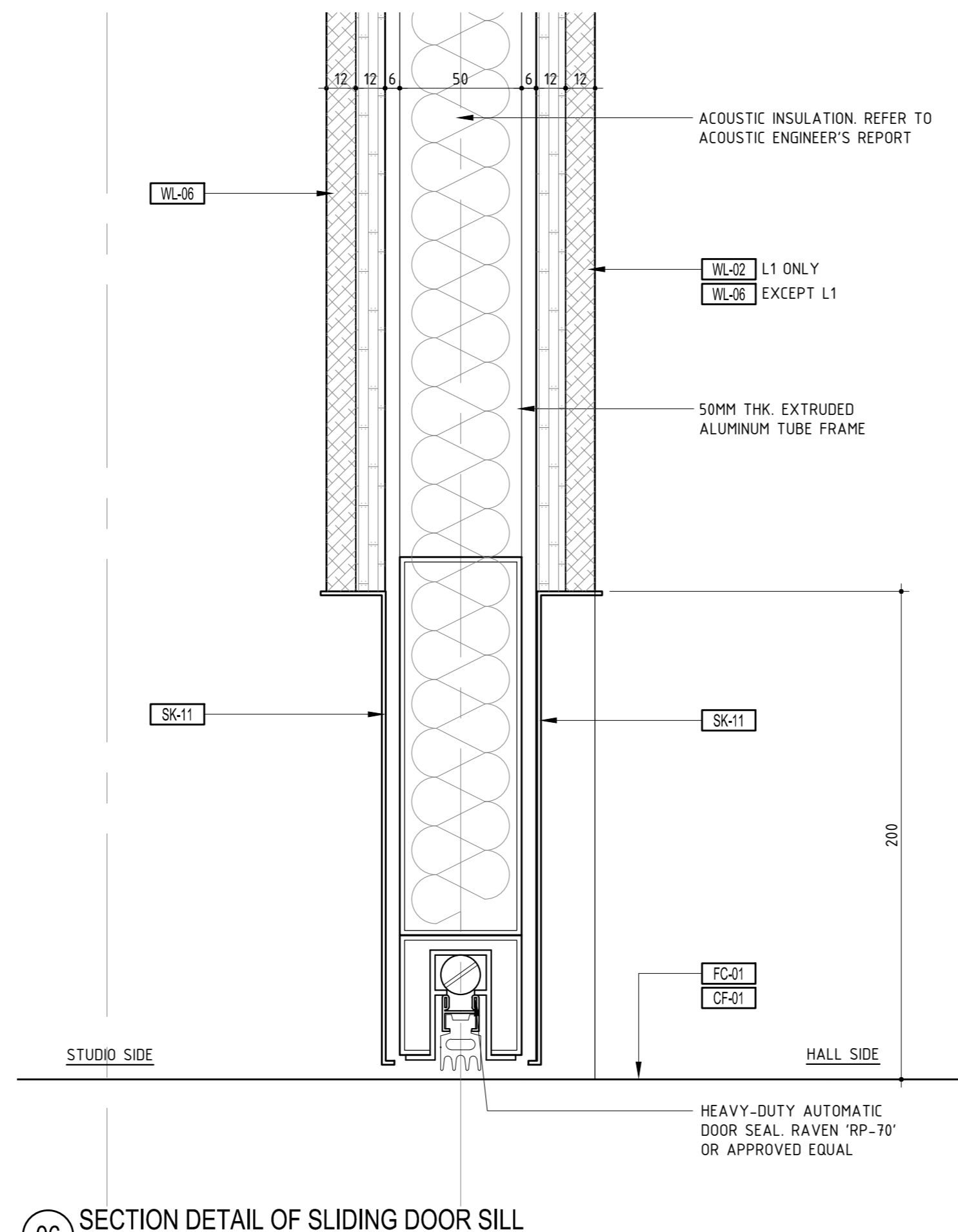
04 PLAN DETAIL OF SLIDING DOOR JAMB AT PARTITION  
SCALE: 1:2



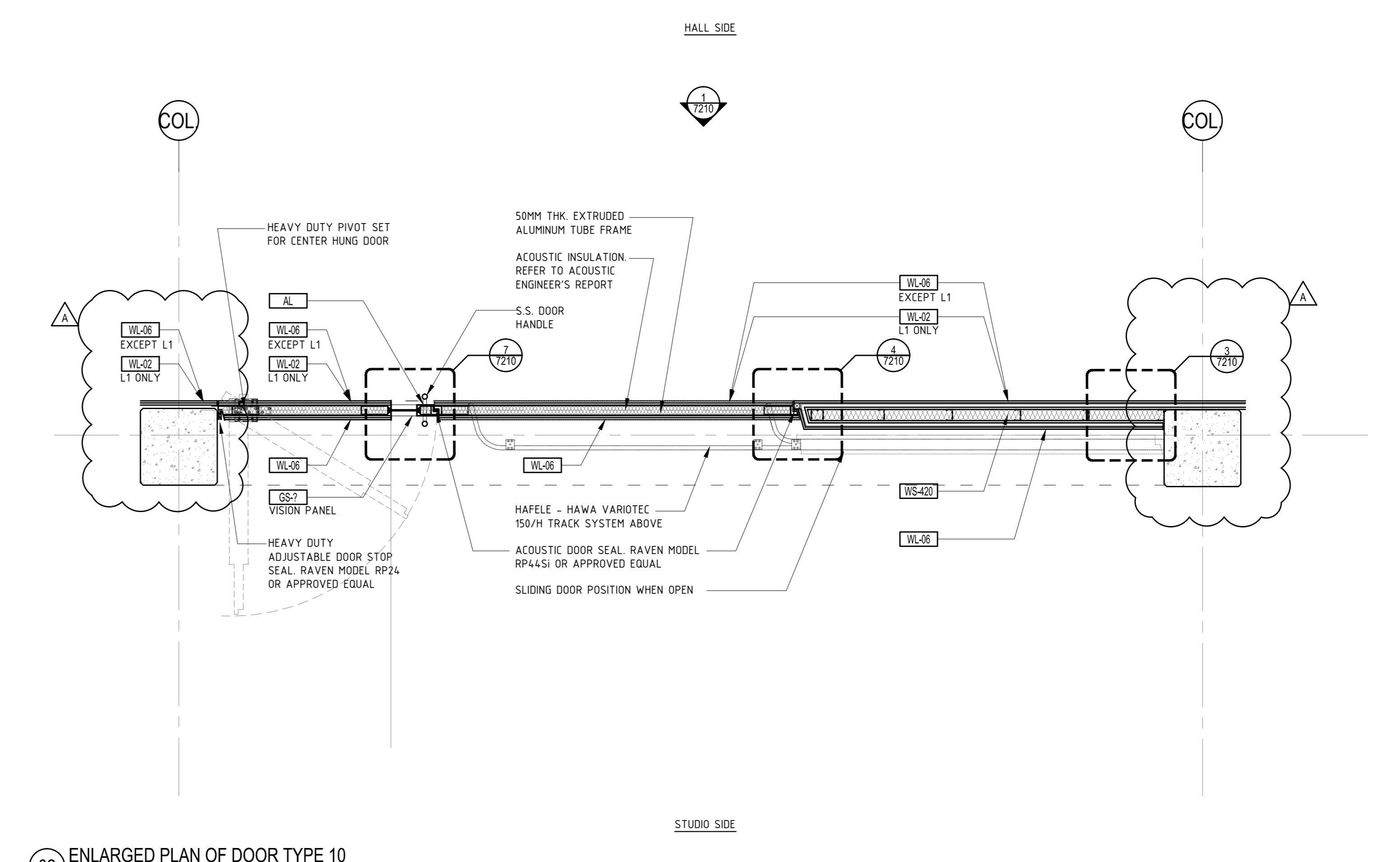
03 PLAN DETAIL OF PARTITION & CONC COLUMN INTERFACE  
SCALE: 1:2



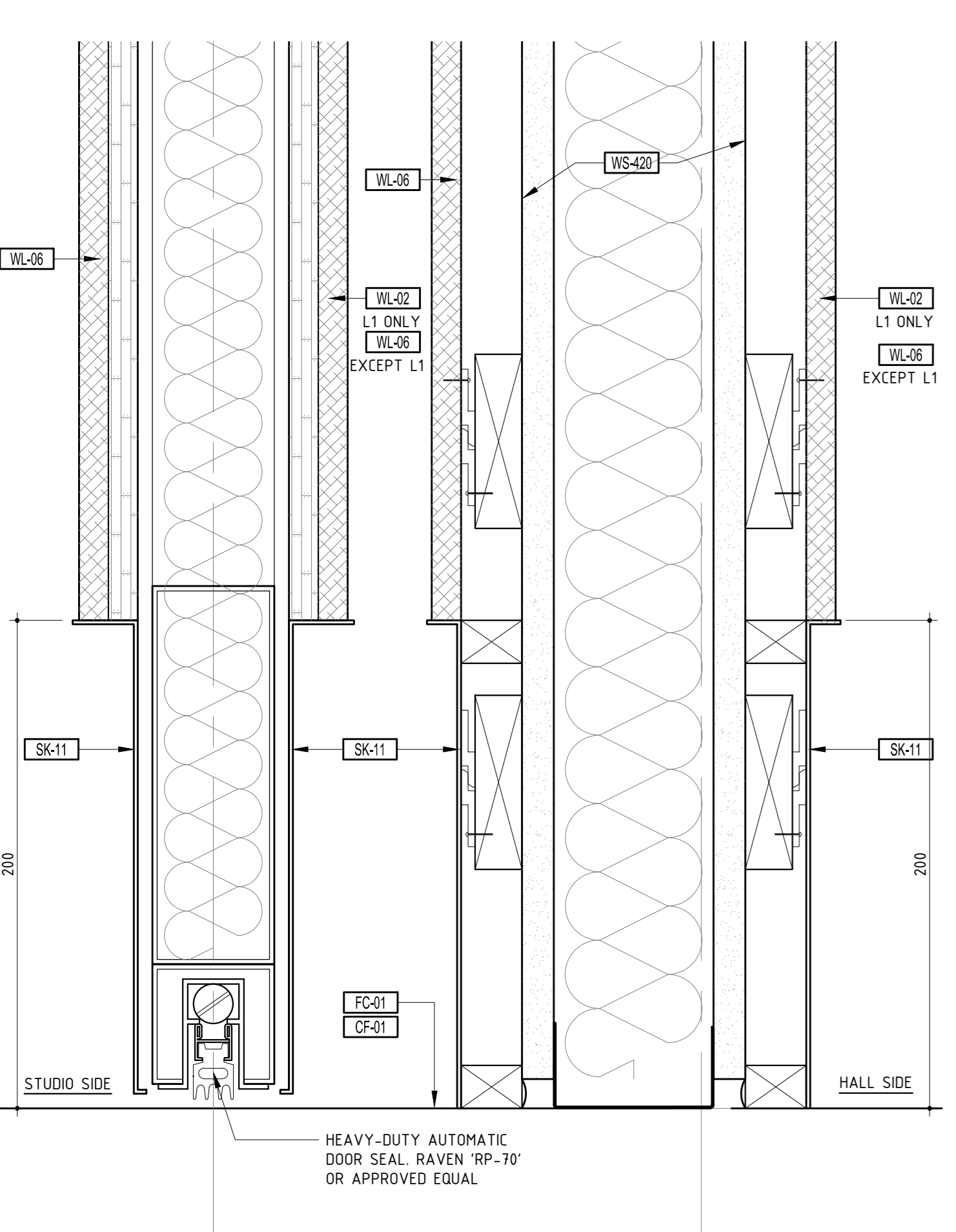
10 SECTION DETAIL OF SLIDING DOOR HEAD  
SCALE: 1:2



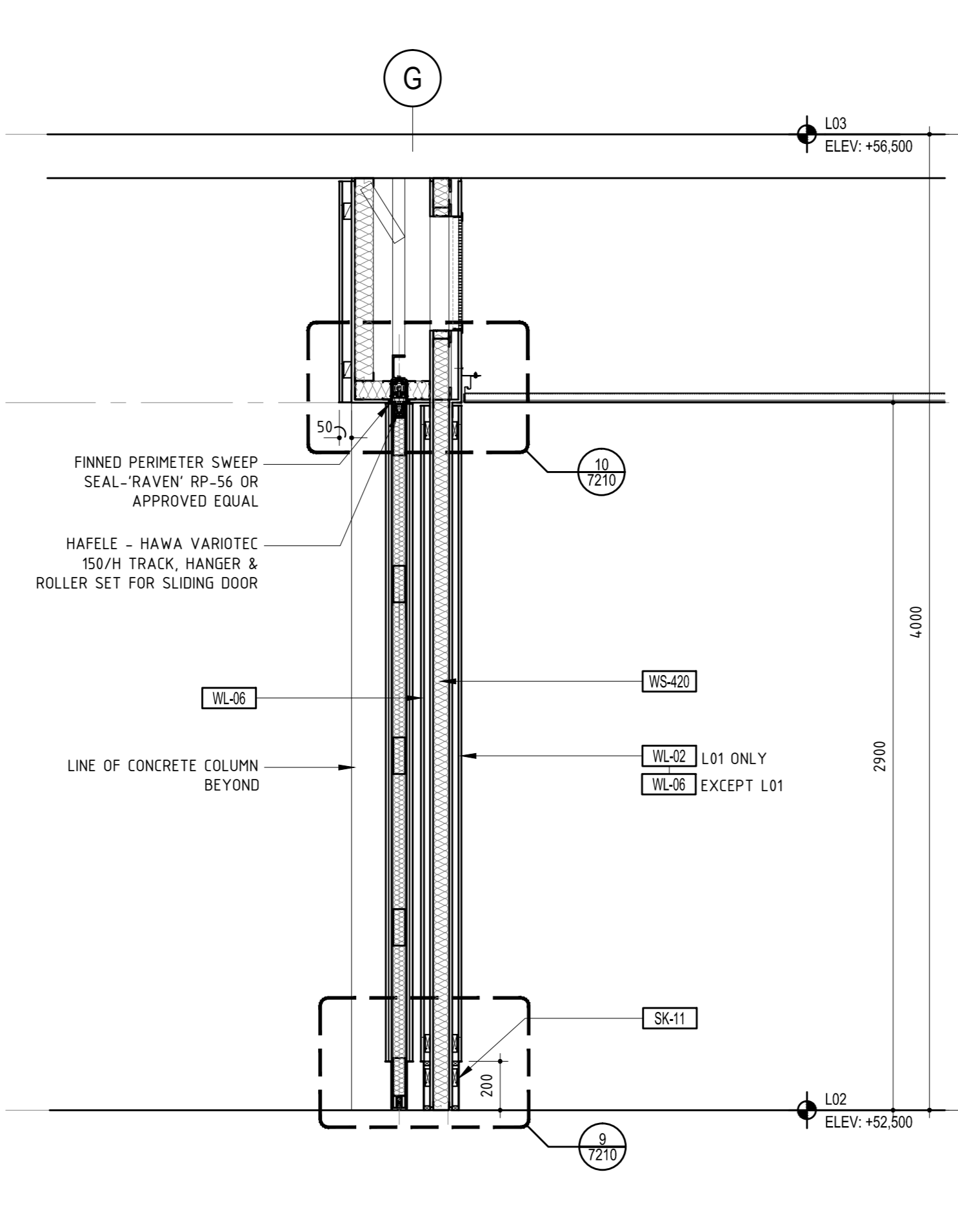
06 SECTION DETAIL OF SLIDING DOOR SILL  
SCALE: 1:2



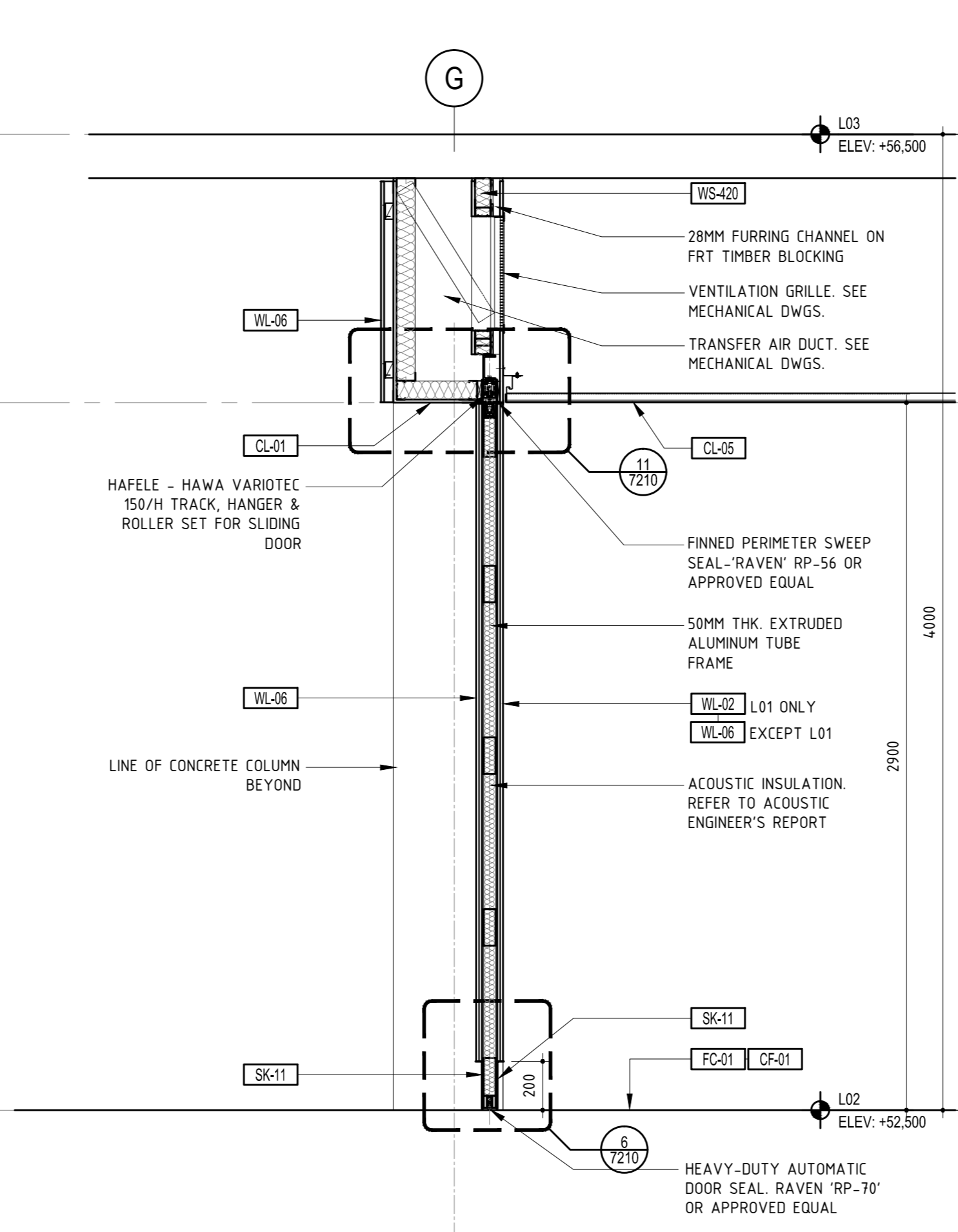
02 ENLARGED PLAN OF DOOR TYPE 10  
SCALE: 1:20



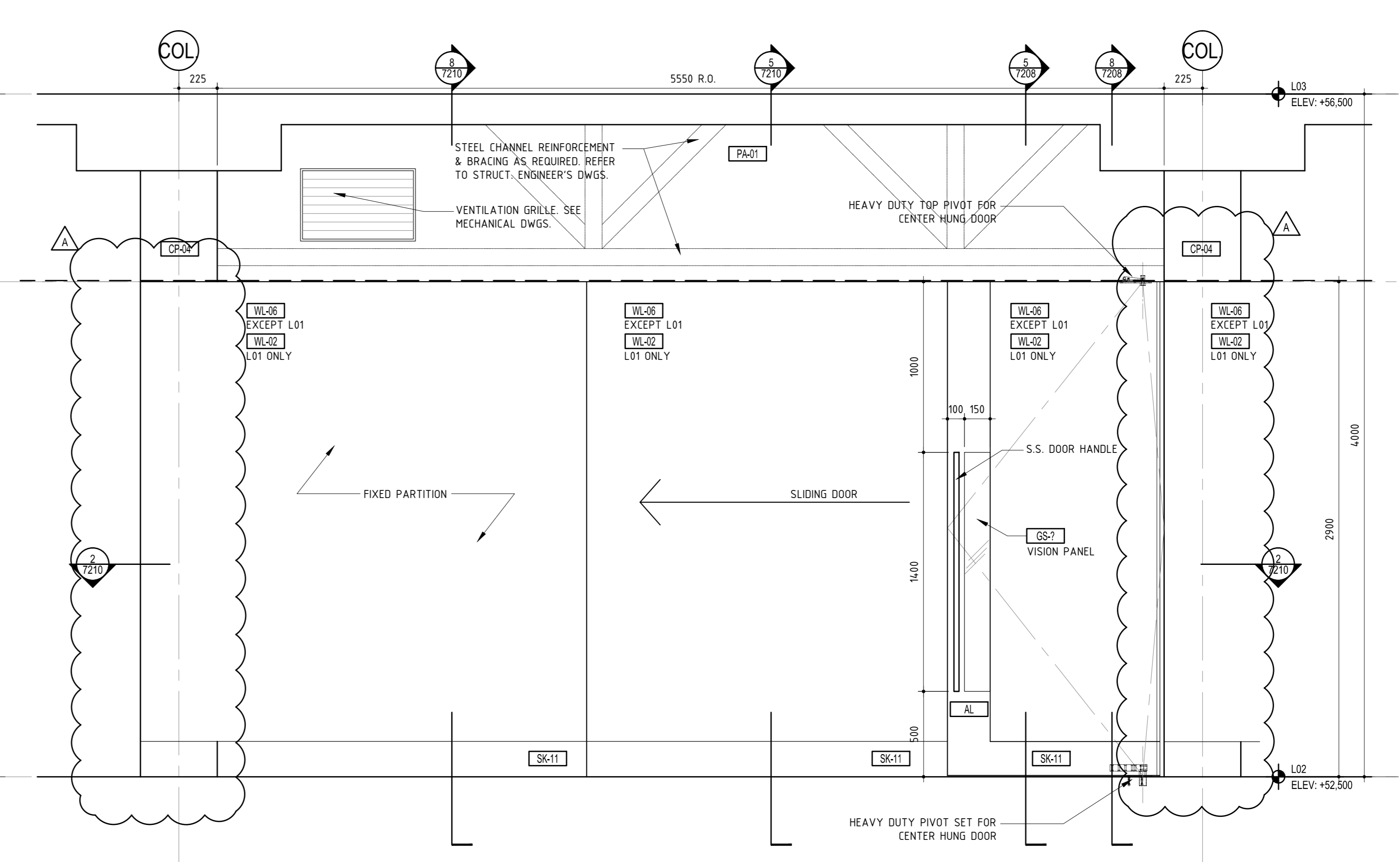
09 SECTION DETAIL AT SLIDING DOOR SILL  
SCALE: 1:2



08 SECTION THROUGH DOOR TYPE 10 IN OPEN POSITION  
SCALE: 1:20

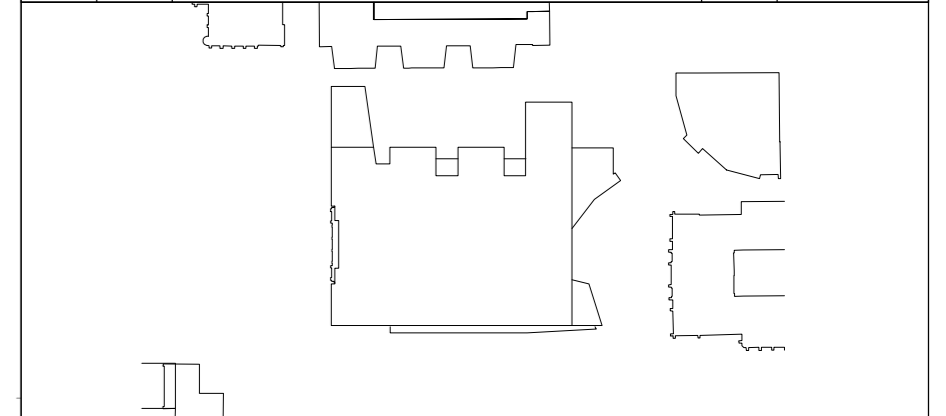


05 SECTION THROUGH DOOR TYPE 10 IN CLOSE POSITION  
SCALE: 1:20



01 ENLARGED ELEVATION OF DOOR TYPE 10 ON HALL SIDE  
SCALE: 1:20

Rev	Issue	Revision Description	And	Date
A	SG	CONSTRUCTION ISSUE	-	08.01.14
03	SG	VALUE MANAGEMENT ISSUE	-	28.03.13
02	JC	100% CD - TENDER ISSUE	-	07.08.12
01	JC	90% CD ISSUE	-	10.08.12



**NADAAA**  
 NADAAA  
 1302 Washington Street No. 2  
 Boston, Massachusetts  
 02118 USA  
 Telephone: +1 617 442 8332  
 Facsimile: +1 617 442 1417  
 Email: nada@nadaaa.com

**John Wardle Architects**  
 © 2011 John Wardle Architects  
 Level 10, 180 Russell Street, Melbourne Victoria 3000 Australia  
 Tel: +613 9654 8700 www.johnwardlearchitects.com

Client: **University of Melbourne Parkville Campus**  
 Project: **Faculty of Architecture Building and Planning**  
 Title: **DOOR DETAILS**

Project No.	0913	Scale	1:100
Drawing No.	AR7210	Revision	A
Date: JAN 2014	Drawn	Co-Ord	Check
FILENAME: ###			

**FOR CONSTRUCTION**